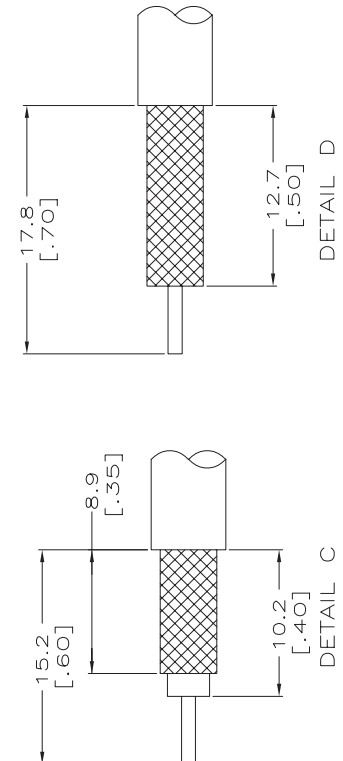
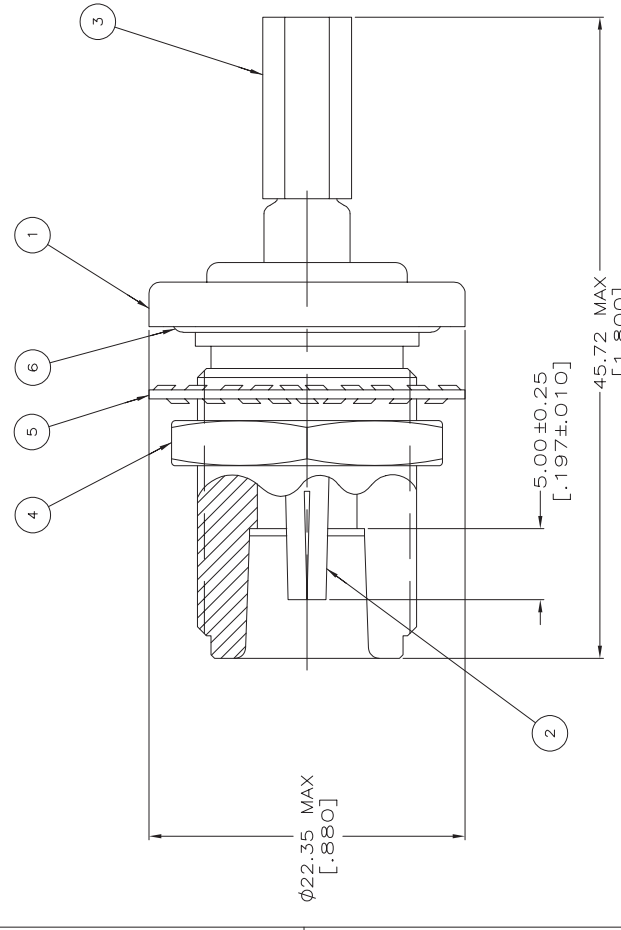
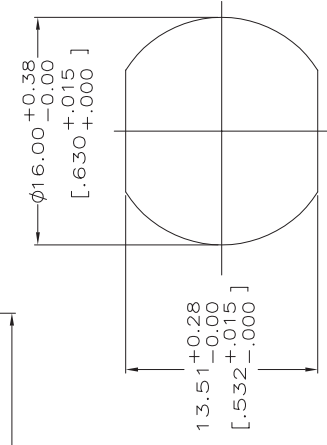


THIS DRAWING IS UNPUBLISHED. © COPYRIGHT BY TYCO ELECTRONICS CORPORATION.	RELEASED FOR PUBLICATION ALL RIGHTS RESERVED.	LOC AJ 16	DIST A	REV PER EC-0514-0028-05	DESCRIPTION	DATE 17DEC05	UN BC	APPD KW
--	--	--------------	-----------	----------------------------	-------------	-----------------	----------	------------

- FOR USE WITH AMP PRO-CRIMPER II HAND TOOL, PART # 354940-1, OR WITH THE 626 SERIES PNEUMATIC TOOL WITH ADAPTER #679304-1, REQUIRES PRO-CRIMPER II DIE SET PART # 58436-1.
- REQUIRES PRO-CRIMPER II DIE SET PART # 58485-1, FOR CONTACT AND BRAID TERMINATION.
- SINGLE PACKED VERSION.



RECOMMENDED STRIP LENGTHS



RECOMMENDED PANEL CUTOUT

4	RG-142/U, 142A/U & 142B/U	CONTACT: .068, BRAID: .213	DETAIL C	22132-3	50687-2	1-332004-7	9-221132-4	415246-8	415249-1	5415248-7
OBsolete	RG-393/U	CONTACT: .100, BRAID: .429	DETAIL D	22132-3	50687-2	1-332004-7	9-221132-8	415250-1	415250-1	5415248-6
OBsolete	RG-58A/U & 58C/U	CONTACT: .068, BRAID: .213	DETAIL C	22132-3	50687-2	1-332004-7	9-221132-0	415246-8	415249-1	5415248-1
	CABLE	HEX CRIMP HEIGHTS IN INCHES	STRIP LENGTH	6	5	4	3	2	1	PART NUMBER
				O-RING QTY=1	LOCKWASHER QTY=1	JAM NUT QTY=1	FERRULE QTY=1	CONTACT QTY=1	JACK ASSY QTY=1	

THIS DRAWING IS A CONTROLLED DOCUMENT.		BY: G. ATTADIA - DOCKS	DATE: 01/28/05
DRAWN BY: G. MICHAEL		DESIGNED BY: G. MICHAEL	PRODUCT SPEC
MATERIAL		FINISH	WEIGHT
APPLICATION SPEC		SIZE	CAGE CODE
RESTRICTED TO		5415248	
CUSTOMER DRAWING		SCALE: 4:1	
TYCO ELECTRONICS CORPORATION		HARRISBURG, PA 17105-3608	
BULKHEAD JACK, SERIES N		REV: 1 of 1	